



**Modular Cooking Range Line
thermaline 80 - 800 mm Open base,
GN conform, 1 Side (H2) - H=550**

ITEM # _____

MODEL # _____

NAME # _____

SIS # _____

AIA # _____



588222 (MAIBDAHOOO) Open base, one-side
operated, GN - H2

Short Form Specification

Item No. _____

800 mm wide open base compartment to store pots, pans, sheet pans, etc. with hygienic design and round edges. Unit constructed according to DIN 18860_2 with 70 mm recessed plinth. Internal frame for heavy duty sturdiness in stainless steel. Flat surface construction, easily cleanable. Open storage space in the base accepts GN 1/1 containers. IPX5 water resistant certification. Configuration: One-side operated freestanding base, hygienic class H2.

Main Features

- All major components may be easily accessed from the front.
- [NOT TRANSLATED]

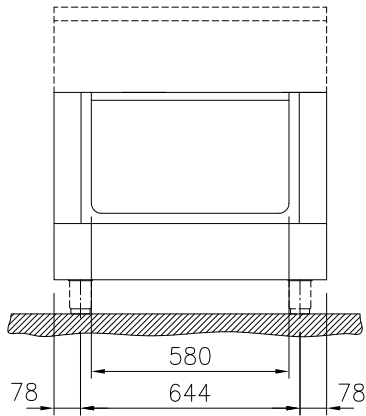
Construction

- IPX5 water resistance certification.
- Hygienic design of the open base compartment with large round edges.
- 2 mm top in 1.4301 (AISI 304).
- Flat surface construction with minimal hidden areas to easily clean all surfaces
- Storage space in the base of the appliance that can accept GN1/1 containers.
- Internal frame for heavy duty sturdiness in stainless steel.

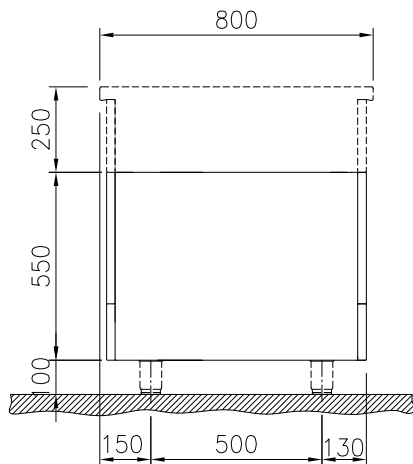
APPROVAL: _____



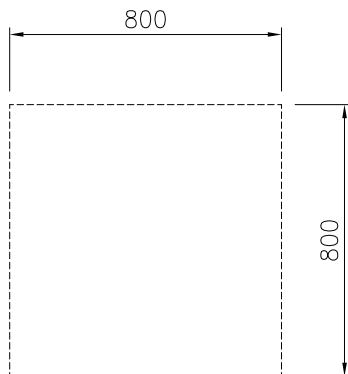
Front



Side



Top


Key Information:

External dimensions, Width:	
588222 (MA1BDAH000)	800 mm
External dimensions, Depth:	800 mm
External dimensions, Height:	550 mm
Cupboard Cavity Dimensions (width):	580 mm
Cupboard Cavity Dimensions (height):	330 mm
Cupboard Cavity Dimensions (depth):	740 mm
Net weight:	22 kg

Optional Accessories

- Stainless steel side panel (12mm), 800x800mm, freestanding PNC 912508
- Stainless steel front kicking strip, 800mm width PNC 912598
- Stainless steel side kicking strips left and right, freestanding, 800mm width PNC 912619
- Stainless steel side kicking strips left and right, wall mounted, 800mm width PNC 912622
- Stainless steel side kicking strips left and right, back-to-back, 1600mm width PNC 912625
- Stainless steel plinth, against wall, 800mm width PNC 912806
- Stainless steel plinth, freestanding, 800mm width PNC 912825
- Stainless steel panel (12mm) 800x800mm, against wall, left side PNC 913094
- Stainless steel panel (12mm) 800x800mm, flush-fitting, against wall, right side PNC 913098
- Back panel, 800x550mm, for bases and units, one-side operated PNC 913182
- Stainless steel side panel, left, h=800 PNC 913216
- Stainless steel side panel, right, h=800 PNC 913217
- - NOT TRANSLATED - PNC 913234
- - NOT TRANSLATED - PNC 913257
- - NOT TRANSLATED - PNC 913264
- - NOT TRANSLATED - PNC 913266
- - NOT TRANSLATED - PNC 913273
- - NOT TRANSLATED - PNC 913274
- - NOT TRANSLATED - PNC 913281
- - NOT TRANSLATED - PNC 913669
- - NOT TRANSLATED - PNC 913685